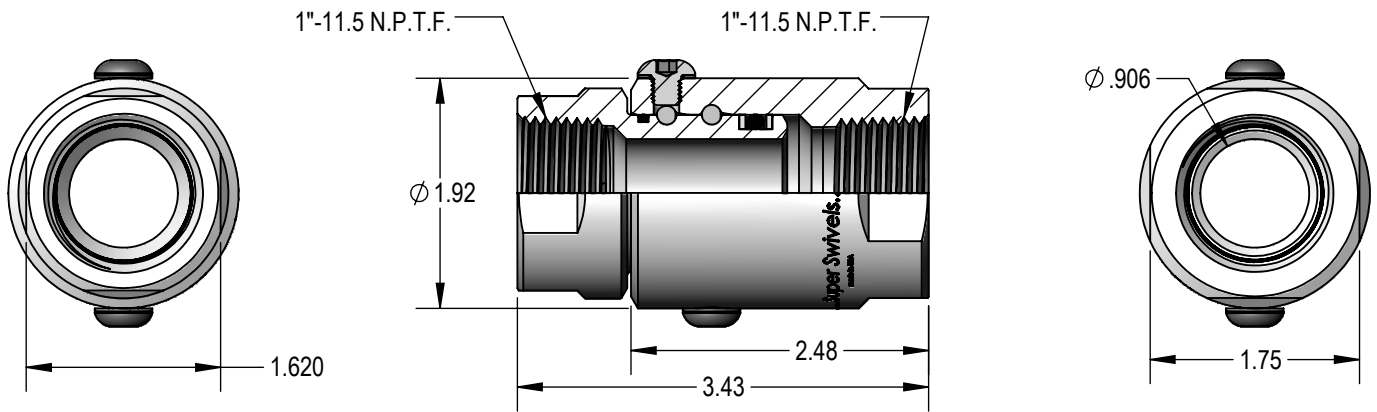


16 Female Pipe (N.P.T.F) X Female Pipe (N.P.T.F)



PART NUMBER
SS 16 DB FP 100 X FP 100

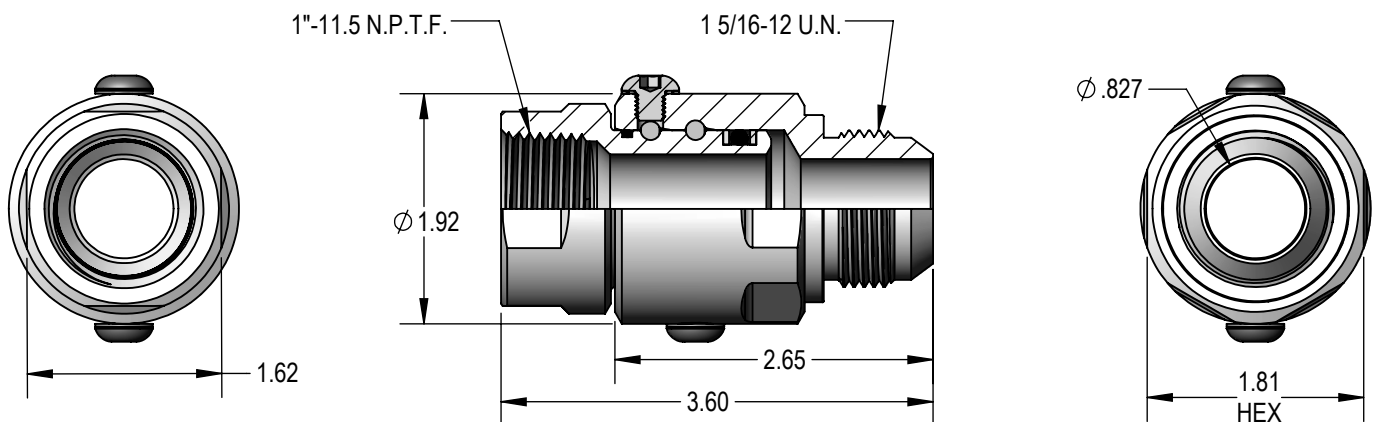
MAXIMUM P.S.I.G.
4,500

Not Available
In Stainless Steel!

*Extra Heavy Duty
Multiple Bearing Race*



16 Female Pipe (N.P.T.F) X Male J.I.C. (37°)



PART NUMBER
SS 16 DB FP 100 X MJ 16

MAXIMUM P.S.I.G.
4,500

Not Available
In Stainless Steel!