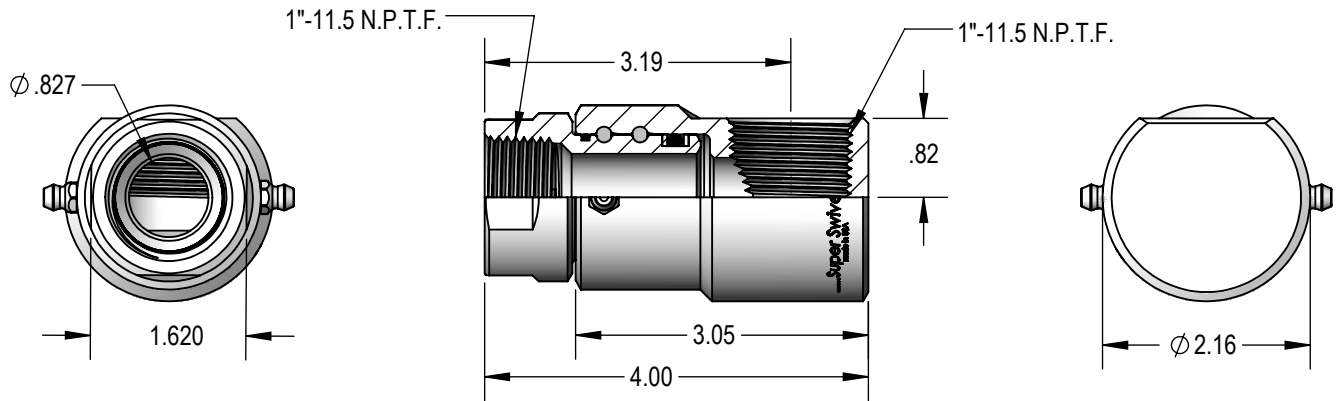


16 Female Pipe (N.P.T.F.) X Female Pipe (N.P.T.F.)



PART NUMBER
9 SS 16 DB FP 100 X FP 100

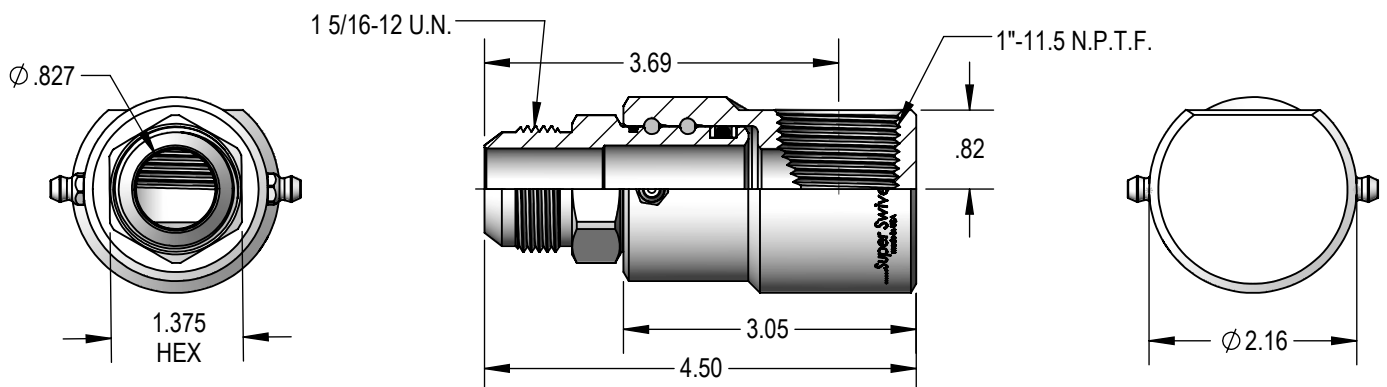
MAXIMUM P.S.I.G.
4,500

Not Available
 In Stainless Steel!

*Extra Heavy Duty
 Multiple Bearing Race*



16 Male J.I.C. (37°) X Female Pipe (N.P.T.F.)



PART NUMBER
9 SS 16 DB MJ 16 X FP 100

MAXIMUM P.S.I.G.
4,500

Not Available
 In Stainless Steel!